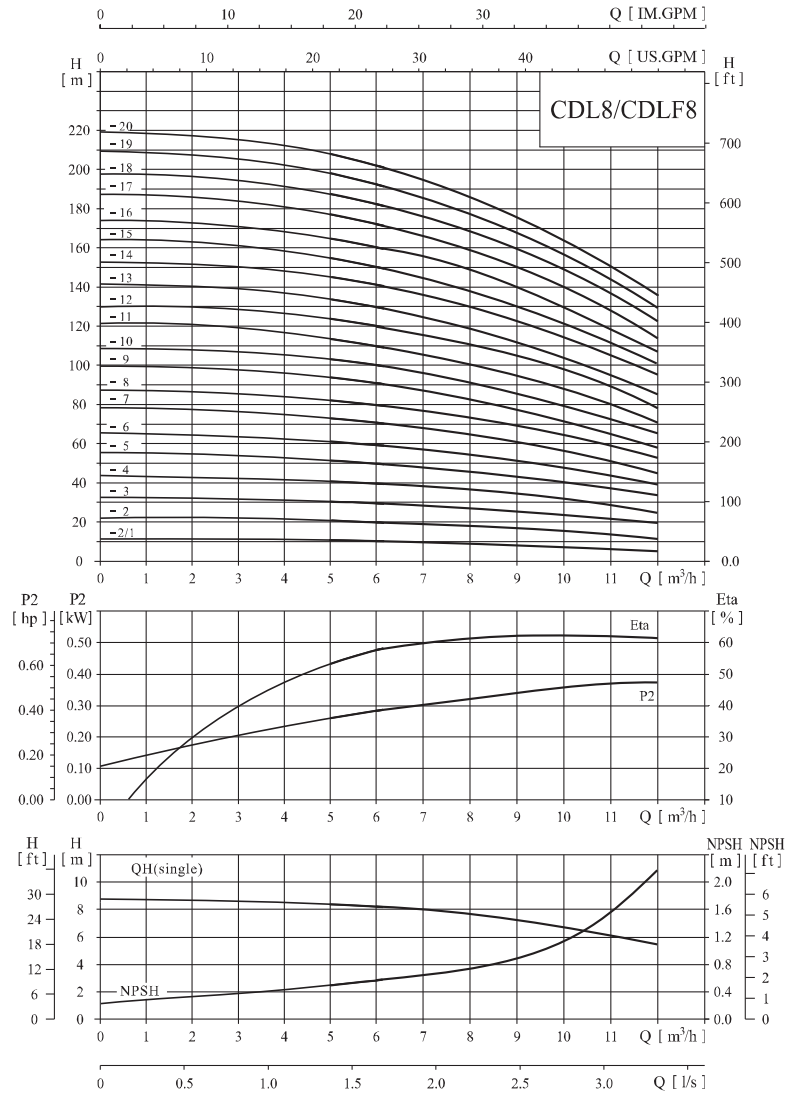


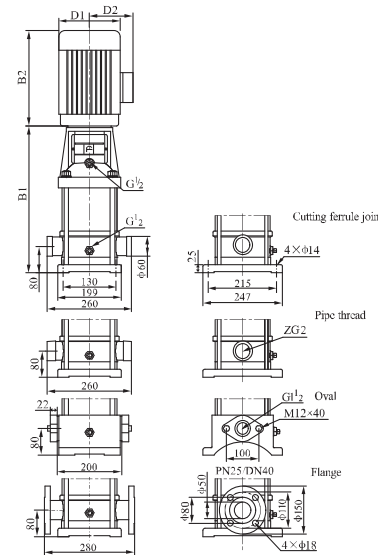
● Performance curve ISO9906 Annex A 2900rpm



● Performance table

Model	Driving motor		Q (m³/h)	5	6	7	8	9	10	11	12
	(kW)	(hp)									
CDL8-2/1	0.75	1	10	9.5	9.3	9	8.5	8	7	6	
CDL8-2	0.75	1	20	19.5	19	18	17	16	14	13	
CDL8-3	1.1	1.5	30	29.5	28.5	27	25	24	21	19	
CDL8-4	1.5	2	41	39.5	38	36	34	32	28	26	
CDL8-5	2.2	3	52	50	48	45	42	40	36	32	
CDL8-6	2.2	3	62	60	57	54	51	48	43	39	
CDL8-8	3.0	4	83	80	77	73	69	65	58	52	
CDL8-10	4.0	5.5	104	100	97	92	87	81	73	65	
CDL8-12	4.0	5.5	124	120	116	111	104	92	87	78	
CDL8-14	5.5	7.5	145	141	136	130	122	113	102	92	
CDL8-16	5.5	7.5	166	161	156	148	139	130	118	106	
CDL8-18	7.5	10	187	182	175	167	157	146	134	120	
CDL8-20	7.5	10	208	202	195	186	175	163	150	135	

● Installation sketch



● Size and weight

Model	Size (mm)					Weight (kg)
	B1	B2	B1+B2	D1	D2	
CDL8-2/1	347	245	592	170	142	32
CDL8-2	347	245	592	170	142	32
CDL8-3	377	245	622	170	142	34
CDL8-4	417	290	707	190	155	40
CDL8-5	447	290	737	190	155	44
CDL8-6	477	290	767	190	155	45
CDL8-8	547	345	892	197	165	53
CDL8-10	607	355	962	230	188	64
CDL8-12	667	355	1022	230	188	66
CDL8-14	747	390	1137	260	208	81
CDL8-16	807	390	1197	260	208	84
CDL8-18	867	390	1257	260	208	93
CDL8-20	927	390	1317	260	208	94

CDL8-14 ~ 8-20 sub-connection of pipeline has no oval flange connection. The overall dimensions of the single-phase motor and explosion-proof motor are a little different. Pls contact us for details.